

## OutFront Bike Racks

## Product Identification

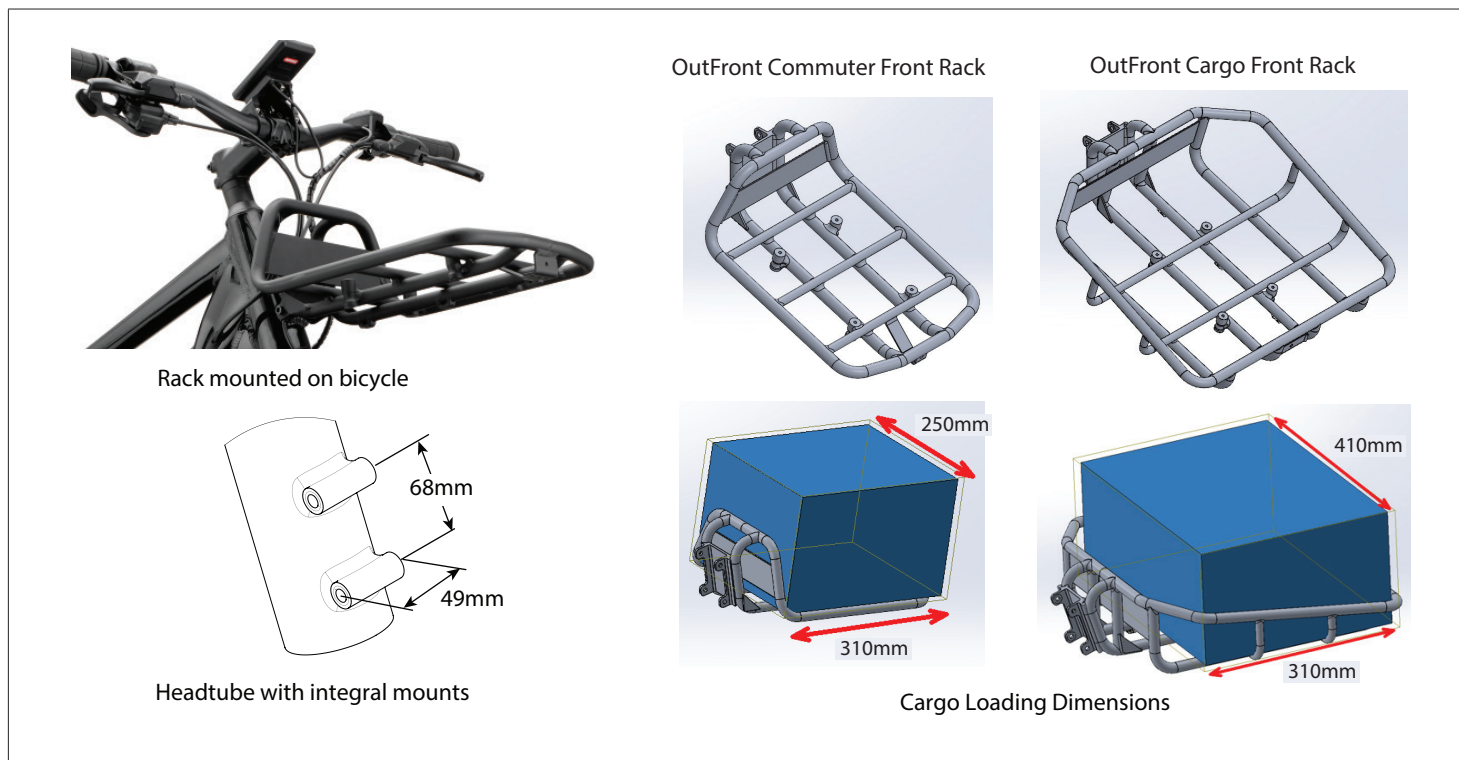


Figure 1.

## Specifications

Product Code	CP1013U100S	CP1023U100S
Product Description	OutFront Rack Commuter Rack	OutFront Rack Cargo Rack
Load dimension (width x length)	250mm X 310mm	410mm X 310mm
Frame mount (eye-to-eye)	Integrated 68mm	
Weight Limit	15 Kg, 33 Lbs	
Intended Use	ASTM Conditions 1-2, General Purpose Riding.	

## General Information

A bicycle headtube must have the integrated direct headtube mount system in order to install this rack. The racks are compatible with the MIK accessories. If you intend to use MIK products, please consult MIK instructions for mounting and usage information. See <https://www.mik-click.com>

## Required Installation Tools

- 6 mm hex key
- 13mm socket or spanner

## This Owners Manual

Keep this owner's manual for reference. It contains important safety, maintenance, and technical information.

## Correct Installation

**WARNING**

**Incorrect installation of the rack can result in damage leading to an accident.**

If you do not understand these instructions, or encounter problems, do not mount the rack yourself - instead have it installed by a professional bicycle mechanic.

## Installation

### Installation Steps

1. Align the rack mounting bracket over the headtube mounts. Figure 2.

It is possible to pass a front brake cable and front light wiring through the space between the rack plate and the headtube.

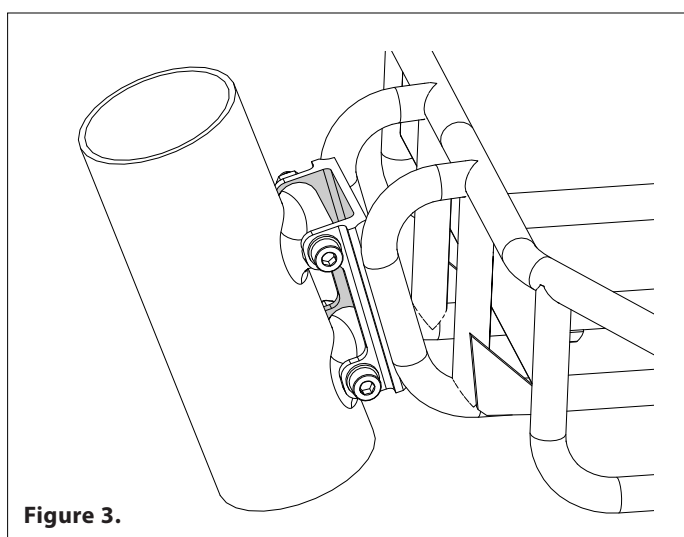
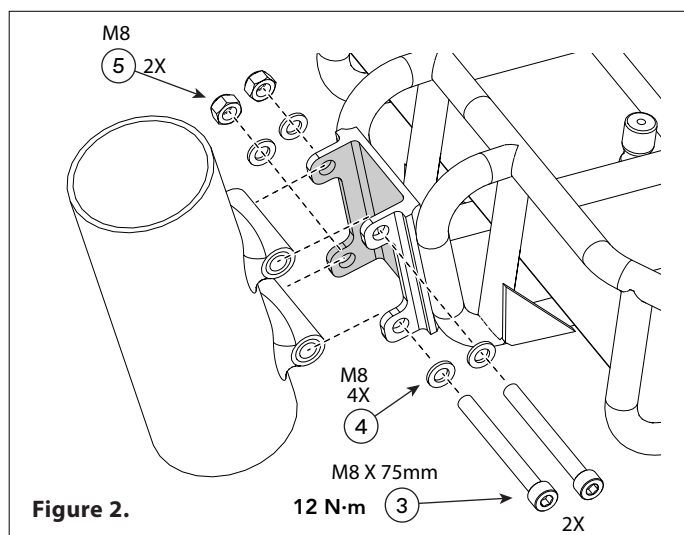
**CAUTION:** Make sure not to pinch or cause any brake line or wire to become pinched in this area. Carefully inspect the cables and wires in areas where they pass between the rack and plate and the headtube and install hardware, as in Figure 2.

2. Tighten the bolts to 12 Nm.
3. If you are using a front light, route the cable supply line to the light as shown in Figure 5

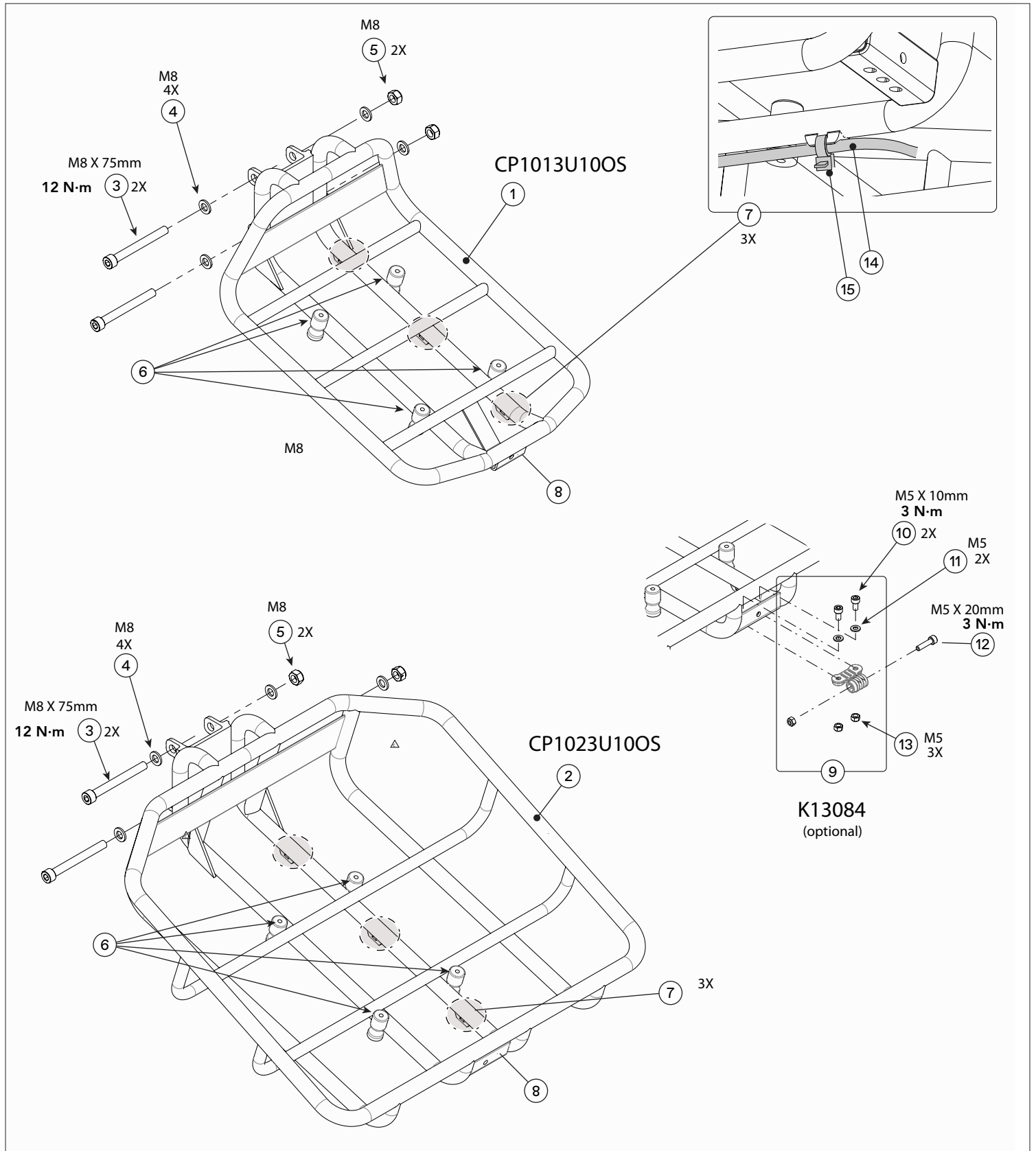
Route the wire to the underside of the rack and secure the wire at each of the three cable mounts with a cable tie.

**CAUTION:** Do not route the cable above the rack or in the cargo area of the rack.

4. When hardware for the rack is installed and tightened, the rack must be fixed. The rack should not be loose or shake on the headtube. If the rack shakes or moves on the headtube there is a problem which must be corrected. If this is the case, remove the rack and hardware and have the rack installed by a professional bicycle mechanic.
5. After the rack has been installed. Check to make sure that the bicycle controls function properly. Make sure the handlebar turns normally. Make sure the front light, if mounted, provides adequate illumination and its beam is not obstructed by the rack or anything within the rack.



**Part Identification & Tightening Torque**



**Figure 5.**

**Identification**

- 1. OutFront Commuter Rack
- 2. OutFront Cargo Rack
- 3. Bolt
- 4. Washer
- 5. Lock Nut

- 6. Mounting Points
- 7. Cable guides
- 8. Front mount
- 9. Front light friction bracket
- 10. Screw

- 11. Washer
- 12. Screw
- 13. Lock nut
- 14. Wire
- 15. Cable tie

## Important Warnings

### WARNINGS

**INTENDED USE:** ASTM Conditions 1-2, General Purpose Riding. Not Intended: For jump, stunts, and in other aggressive riding styles or conditions. For more information about ASTM CONDITIONS 1-5 and Intended Use, read the Cannondale Bicycle Owner's Manual at [www.cannondale.com](http://www.cannondale.com).

**COMPATIBILITY:** For the integrated headtube bolted mounting system only. Do not use adapters or shims or modify the rack or bike. Do not use clamp or straps to attach the rack. Follow the installation instructions. If you encounter a problem, ask a professional bicycle mechanic for help.

**LIGHTS & REFLECTORS:** Do not remove or obscure the operations of any lights or reflectors in order to mount the rack. Do not place items in the rack that obscure or prevent the function of any light or reflector. If the bicycle has a front light, make sure the light functions after fitting the rack. Move the light if necessary. The rack has a mounting location on the front. See Figure 3.

**LOADING LIMIT (TOTAL):** 15 kg, 33 lbs. Do not overload the rack. The size of the load, namely the height, must not interfere with the handlebar controls or with the steering of the bike. Objects placed in the rack should remain inside the rail bordering. The front rack is not a seat. Do not carry a passenger. Do not load pets without proper installation onto the rack of a compatible and safe pet carrier. You assume all risks and liability to both the pet and yourself. The rack alone should not be used to carry animals.

**UNDERSTAND THAT ADDING ON A RACK WILL AFFECT HOW YOUR BIKE HANDLES; YOU MUST COMPENSATE.** A loaded rack bag will affect the handling (e.g., steering, stability, braking, acceleration, etc.) of your bike. You must learn to compensate for the handling effects of the loaded items. If you use multiple racks and/or cycling bags, distribute all weight across racks evenly.

**DO NOT MODIFY:** The rack or bike frame must not be cut, drilled, or modified in any way.

**PERIODIC INSPECTION REQUIRED:** The rack and frame mounting points must be periodically inspected for damage as part of your routine bicycle maintenance. See "Inspect for Safety" in the Cannondale Bicycle Owner's Manual for more information, go to [www.cannondale.com](http://www.cannondale.com).

**INSPECTION & CRASH/IMPACT DAMAGE:** After any crash or impact, immediately stop riding. Have the rack and bicycle inspected by a trained professional bicycle mechanic for any damage (e.g., bending, cracking, deep scratches or scoring, missing or loose parts). Never ride a bike with any damage. Remove any damaged things in or on the rack immediately.

**SECURE RACK CONTENTS:** You must make sure that all items placed in the rack are secure and cannot be thrown out or shifted in the rack while riding. You must prevent any parts of the contents, the straps, or the tie-downs used to secure the rack contents from interfering with your ability to steer the bicycle or to use any of its controls. REMOVE ALL items in the rack when the bicycle is placed on an automobile rack. Make sure the strap ends/hooks are secured at the frame or rack tie-down points. Make sure nothing hangs or is loose that can be caught and be entangled in a moving wheel.

**ACCESSORY ATTACHMENT/DISTRACTIONS:** Do not allow any mounted/attached accessory (e.g., iPhone, Android phone, lighting system, remote camera, or cycling computer) to distract your attention or to impair your ability to operate your bicycle safely. Any distractions can place you at risk. Make sure you operate, adjust, or interact with mounted accessories only when the bike is stopped or when riding hazards are significantly reduced.

**ALWAYS USE A HIGH-QUALITY TORQUE WRENCH :** Setting fastener torque accurately is important to your safety. A torque wrench is required to apply the indicated torque values. It is also very important to clean bolt threads and apply threadlock before installing a fastener. Do not exceed the torque specified for any component. Over- or under-tightening can result in serious damage and part failure leading to an accident. If you do not have a torque wrench or do not know how to use one, have the parts installed or serviced by a skilled professional bicycle mechanic

**YOU CAN BE SEVERELY INJURED, PARALYZED, OR KILLED IN AN ACCIDENT IF YOU IGNORE THESE WARNINGS.**

### Care & Maintenance

Inspect the rack for damage before and after every ride. And immediately after any crash or impact.

Clean with mild soap and water only. Dry with a clean towel.

Do not use solvents or abrasives. Cover mounted accessories to prevent possible water damage.

### Limited Warranty

The "components" terms apply to this accessory. For more information, go to the support area at [www.cannondale.com](http://www.cannondale.com)

#### NOTICE

Unauthorized service, maintenance, or repair parts can result in serious damage and void your warranty.

### Contacting Cannondale

#### Contacting Cannondale

Go to [www.cannondale.com](http://www.cannondale.com) for contact information for your region.