

2009 Synapse Carbon

SEAT TUBE/BINDER PREPARATION

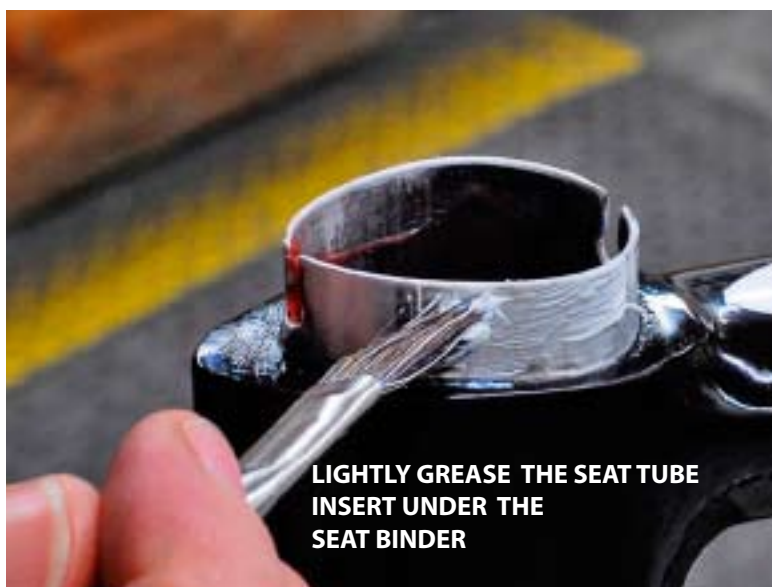
Burrs or sharp edges of the seat tube insert opening can scratch the seat post. Before inserting the seat post into the frame, do the following:

1. Remove the seat binder exposing the seat tube insert.
2. Lightly round the opening of the insert using 240 grit or lighter sandpaper.
3. Apply carbon gel into the opening of the seat tube. Carbon gel has been included in the parts boxes of 2009 Synapse Carbon.

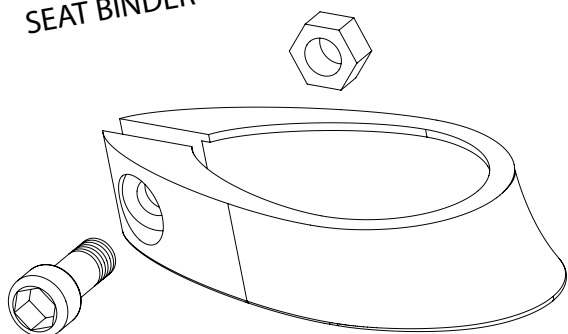
It is also available by ordering Cannondale kit **KF115/**.

4. To improve clamping force, lightly grease the outside surface of the seat tube insert before reinstalling the seat binder.
5. Reinstall the seat binder.
6. Before inserting the seat post, apply carbon gel to the seat post.
7. Use a torque wrench to tighten the seat binder bolt to 8 Nm.

See [Synapse Carbon Owner's Manual Supplement 123394.PDF](#) for more seat post information.

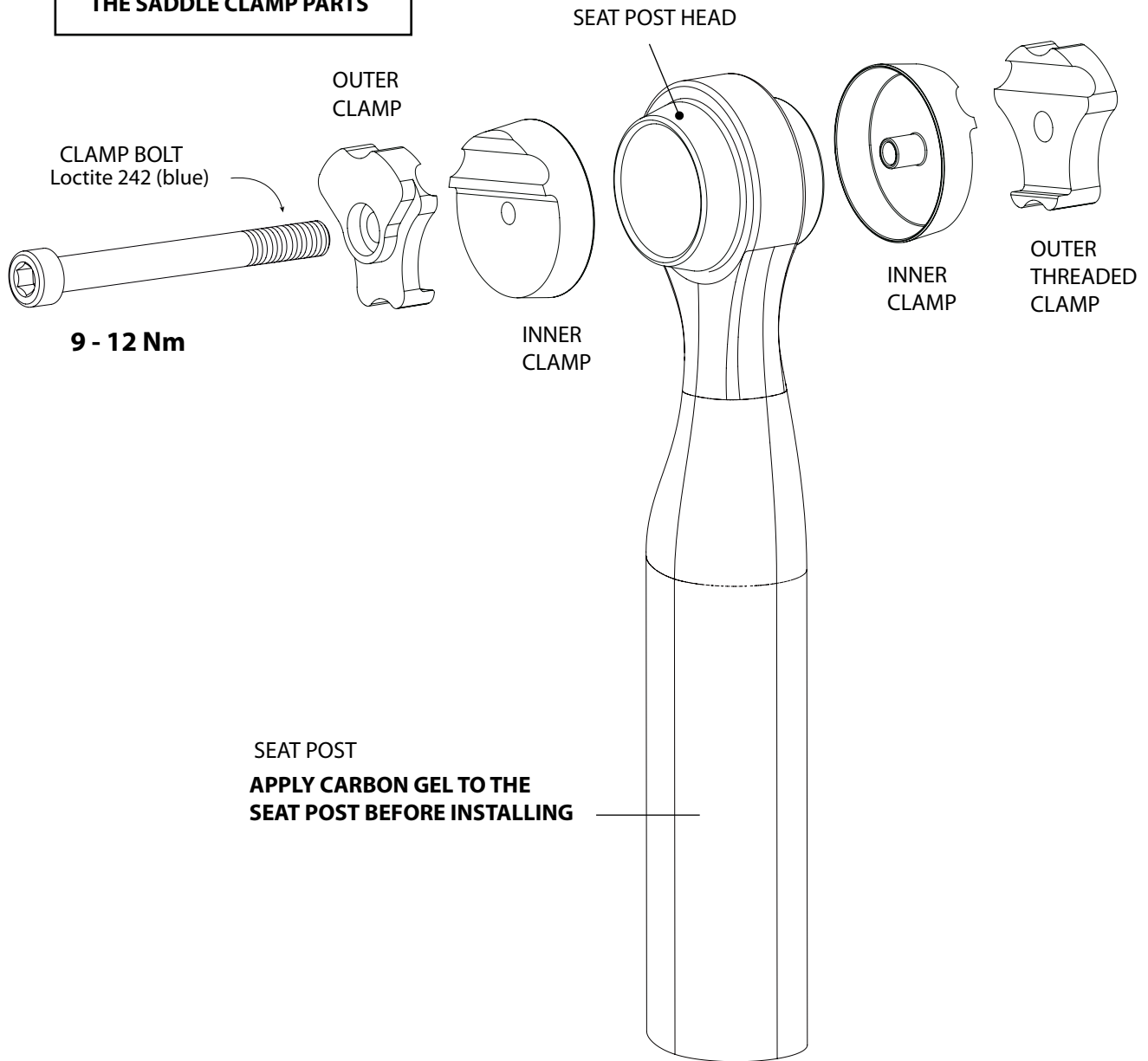


SEAT BINDER



8 Nm

**DO NOT APPLY GREASE TO
THE SADDLE CLAMP PARTS**



SADDLE CLAMP ASSEMBLY

1. Apply Loctite 242 (blue) to the clamp bolt threads.
2. Make sure the seat post head is clean and dry. Do not apply grease.
NOTE: The saddle head is bonded in place. Do not attempt to remove or adjust it.
3. Assemble the parts as shown above.
4. Install the saddle so that the saddle rails locate in the slots between the inner and outer clamps.
5. Use a torque wrench to tighten the seat saddle clamp 9 - 12 Nm.