

Mavaro Neo

Owner's Manual Supplement



WARNING

**READ THIS SUPPLEMENT AND YOUR
CANNONDALE BICYCLE OWNER'S MANUAL.**

Both contain important safety information. Keep both for future reference.

Safety Messages

In this supplement, particularly important information is presented in the following ways:

WARNING

Indicates a hazardous situation which, if not avoided, may result in death or serious injury.

NOTICE

Indicates special precautions that must be taken to avoid damage.

The following symbols are used in this manual:

Symbol	Name	Description
	NGLI-2 synthetic grease	Apply NGLI-2 synthetic grease.
	Carbon gel	Apply carbon gel (friction paste) KF115/
	Medium-strength removable thread lock	Apply Loctite® 242 (blue) or equivalent.

Cannondale Supplements

This manual is a “supplement” to your [Cannondale Bicycle Owner’s Manual](#).

This supplement provides additional and important model specific safety, maintenance, and technical information. It may be one of several important manuals/supplements for your bike; obtain and read all of them.

Please contact your Authorized Cannondale Dealer immediately if you need a manual or supplement, or have a question about your bike. You may also contact us using the appropriate country/region/location information.

You can download Adobe Acrobat PDF versions of any manual/supplement from our website: www.cannondale.com.

Contacting Cannondale

Cannondale USA

Cycling Sports Group, Inc.
1 Cannondale Way,
Wilton CT, 06897, USA
1-800-726-BIKE (2453)

Cycling Sports Group Europe B.V

Mail: Postbus 5100
Visits: Hanzepoort 27
7570 GC, OLDEENZAAL, Netherlands
service@cyclingsportsgroup.com

www.cannondale.com

International Distributors

Consult our website to identify the appropriate Cannondale Dealer for your region.

CONTENTS

Identification	2
Safety Information	3-8
Key	9
Technical Information	10-21
Replacement Parts	22-25
E-Bike Maintenance	26-28
Notes	29

Your Cannondale Dealer

To make sure your bike is serviced and maintained correctly, and that you protect applicable warranties, please coordinate all service and maintenance through your Authorized Cannondale Dealer.

NOTICE

Unauthorized service, maintenance, or repair parts can result in serious damage and void your warranty.

Drive System

WARNING

MANUFACTURER’S INSTRUCTIONS - In addition to this supplement, you must read and follow the manufacturer’s instructions for all components of the drive-assist system:

Drive Unit	Battery
Display/Control Unit	Charger

Manufacturers’ instructions contain important operations, service and maintenance information.

IDENTIFICATION

Parts of Your E-Bike



Actual bike appearance will differ.

Identification

- | | | |
|------------------|---------------------------|---------------------|
| 1. Drive Display | 6. Frame Serial Number | 11. Adjustable Stem |
| 2. Drive Unit | 7. Wheel Sensor | 12. Kickstand |
| 3. Battery Cover | 8. Rear Light | 13. Wheel Lock |
| 4. Key | 9. Headlight | 14. Taillight |
| 5. Charge Port | 10. Daytime Running Light | |

Serial Number

The serial number is located on downtube. It is a 7-character code. Use this serial number to register your bike.

Record YOUR Serial Number here:

To register your bike: go to the Product Registration section of our website at www.cannondale.com

SAFETY INFORMATION

Intended Use



The intended use of all models is
ASTM CONDITION 2,
General Purpose Riding.

What is an E-Bike?

Electric bikes, also known as “E-Bikes,” are bicycles equipped with an electric pedal-assist drive system. An E-Bike IS NOT a moped or motorcycle. E-Bikes share components common with pedal-only bikes.

What is a Drive System?

The drive-assist system consists of a drive unit, a battery, a computer control, and various electronic components (harness wires, sensors, and switches). There are many different drive-assist systems for differing uses and bike types. Likewise there are various drive-assist system manufacturers (Shimano, BOSCH, Bafang, Yamaha, etc.)

How does the Drive System work?

It is important to know that when the drive-assist system is turned ON, the drive unit engages to provide power only while you are pedaling.

The amount of power provided by the drive unit depends on your pedaling force and on the assistance mode/level you set with the handlebar control unit. At anytime, if you stop pedaling, the drive-assist will dis-engage.

In all modes/levels, the drive-assist system power reduces progressively and cuts off as the bike reaches the maximum allowable speed. The drive-assist re-engages when speed drops below the maximum allowable speed as long as the pedals are turning.

Whenever the drive-assist system is turned OFF, you can pedal the bike normally. The drive system will not engage.

WARNING

Understand your bike, its drive-assist system, and the intended use of both. Using your bike the wrong way is dangerous.

Please read your Cannondale Bicycle Owner's Manual for more information about Intended Use and Conditions 1-5.

Servicing

WARNING

This supplement may include procedures beyond the scope of general mechanical aptitude.

Special tools, skills, and knowledge may be required. Improper mechanical work increases the risk of an accident. Any bicycle accident has risk of serious injury, paralysis, or death.

To minimize risk we strongly recommend that owners always have mechanical work done by an Authorized Cannondale Dealer.

Compliance/Regulation

WARNING

YOU MUST OBEY ALL LOCAL LAWS & REGULATORY REQUIREMENTS - It is your responsibility to identify and to follow all local laws and regulations necessary for legal compliance. Compliance with local regulations is critical to the safety of the rider and of others where the bike is used.

Here are some important specifications related to compliance with local laws:

VEHICLE CLASS - A definition (California, USA) of the different types of E-Bikes, E-Bike labeling, and legal use areas, including any required additional equipment, registration, and applicable rider age restrictions.

VEHICLE CATEGORY - A definition of the European Union of the different types of an E-Bike, who may use them and where they may be used, necessary additional equipment such as lighting and signaling devices, as well as any necessary insurance and licensing.

OBSERVE MINIMUM OPERATOR AGE - Follow any national, state, or local laws for any minimum age restrictions for the operator of the E-Bike.

Ask your local Authorized Cannondale Dealer for more information about operating an electrically assisted pedal bicycle in your area.

Operation

WARNING

Always wear an approved bicycle helmet and all other protective gear (e.g., gloves, pads, and cycling shoes).

Importance of practice & rider training - Before you ride this bike, practice riding in a safe area free from hazards. Take time to learn the bike's controls and performance. Practice the controls and to gain the experience necessary to avoid the many hazards you will encounter while riding.

Do not ride "hands-off" - Keep your hands on the handlebars when riding the bike. If you remove your hands from the handlebar while riding, you can lose control of the bicycle and crash.

Changing the assistance level while riding - Changing the drive-assistance level while riding will increase or decrease the acceleration of the bike. You should anticipate this change in speed and react appropriately depending on the riding conditions such as on slippery trails, tight turns, or unstable or uneven surfaces. Set assistance level to "eco" (lowest assist) or to "off" before descending technical trails, (e.g., tight downhill switchbacks).

When not riding - Turn the drive system off to prevent unauthorized use.

Do not ride the e-bike without the battery - Make sure the battery is fully charged before every ride to help ensure adequate battery power for necessary lighting and for the drive system.

Do not remove any lighting or reflectors and do not ride if they do not work.

Do not allow children to operate or to come into contact with the e-bike or its parts.

Only turn the drive system on when you are seated ready to ride.

Accidental activation - Always disconnect the battery from the bike before working on the bicycle. If you transport the bike by car or by airplane, obey local regulations regarding transporting a bicycle with a drive system battery. Accidental activation of the bicycle drive system can result in serious injury.

continued next page

continued from previous page...

Wired system control - If the drive system control device is detached from the mount or if the cables are disconnected or damaged, the drive system will automatically shut off. If this happens, you will have to stop the bike, turn the system off, re-attach the computer to the base, and then turn the system back on to resume operation.

Wireless system control - In wireless control systems, the operation of the drive system is controlled using radio frequencies without physical attachment. Therefore, ON/OFF activation is determined by software programming. Please consult the manufacturer's instructions for information on preventing accidental activation or on restarting the drive system in the event of a recovery from a drive system fault.

Your insurance policies - Your insurance policies (e.g., liability, property, and injury) may not provide coverage for accidents involving the use of this bicycle. To determine if coverage is provided, you should contact your insurance company or agent. Also, make sure your speed e-bike is insured and registered according to the local laws.

Ride sensibly and safely around others - the application of power by means of the electric motor assist means that riders can reach high speed. Riding faster increases the risks of serious accidents.

Watch out for other vehicles, cyclists, pedestrians, and animals where you ride - Always operate under control and at a safe speed. Others may not be aware of you. It is your responsibility to anticipate and to react to avoid accidents.

E-bikes are heavier than ordinary bikes - always park the bike in a suitable safe area away from children, cars or animals that may come into contact with it. Park the bike so that it cannot fall over and possibly result in injuries.

Do not ride into or attempt to ride through water or to submerge any part of the bike - If you ride through water you can lose control of the bike or the drive-assist system can become disabled or damaged.

You can be severely injured, paralyzed, or killed in an accident if you ignore these warnings.

Batteries & Chargers

WARNING

REPLACEMENT - Only use the battery pack and charger indicated in the Specifications section of this supplement. Do not use other batteries or chargers. Do not use the charger to charge other batteries.

PREVENT DAMAGE - Do not drop the battery or charger. Do not open, disassemble, or modify the battery or charger. There are no user-serviceable parts inside.

Keep the battery out of intense sunlight and away from heat. Excessive heat will damage the battery.

Keep battery away from paper clips, coins, keys, nails, screws, or other small metal items to prevent shorting exposed battery contacts. Shorting battery contacts can cause severe burns, fire, or an explosion.

STORAGE & TRANSPORTATION - When the battery is not in use in the bicycle, its transportation is subject to hazardous materials regulation. Special packaging and labeling requirements may exist. Contact local authorities for specific requirements. Never transport a damaged battery. Insulate battery contacts before packaging. Package the battery inside a shipping container to prevent damage. The battery must be removed before flying and may be subject to special handling by the air carrier.

CHARGING - Bring the battery and charger indoors and allow to reach room temperature before charging. Make sure charger and A/C outlet are the same voltage.

Locate both charger and battery indoors in a clean, dry area with good ventilation to charge. Make sure the area is free from combustibles to avoid fire from sparks or from over-heating. Keep charger ventilation openings unobstructed. Do not cover the charger or the battery.

Disconnect the battery from the charger unit when fully charged. Do not leave a fully-charged battery connected to the charger. Unplug the charger from the wall outlet when not in use.

Maintain the battery and the charger as directed by the manufacturer's instructions.

DISPOSAL- Battery pack and charger contain regulated materials and must be disposed/discarded in accordance with national and/or with local laws. Do not discard the battery/charger into fire, into water, or into ordinary household waste/garbage. Instead, take to a waste facility/recycler.

FAILURE TO OBSERVE THESE WARNINGS CAN RESULT IN ELECTRICAL FIRES, EXPLOSIONS, SEVERE BURNS, OR ELECTROCUTION.

No Modification

WARNING

DO NOT MODIFY THIS BICYCLE/DRIVE SYSTEM IN ANY WAY FOR ANY REASON.

Doing so can result in severe damage, in faulty or in dangerous operating conditions, or in violation of local laws.

Dealers and Owners **MUST NOT** change, alter, or modify in any way the original components of the bicycle or drive-assist system (e.g., the specified sizing of the gear ratios, i.e., the front chainrings and rear cogs).

Attempts to “hot-rod” or to “improve” the speed of the bike are dangerous to the rider. Use only specified Cannondale and/or manufacturer drive-assist service and replacement parts.

Commuting

WARNING

EQUIPMENT - Any bicycle, including an E-Bike must be properly equipped for commuting including any legally-required lights, signals, and registrations. Ask your Authorized Cannondale Retailer if commuting is within the scope of your bike’s intended use and if your bike is properly equipped for commuting.

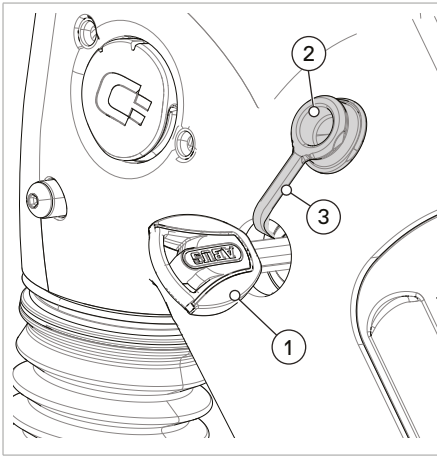
DANGERS - Operating an E-bike as a commuting vehicle is no less dangerous than operating an ordinary pedal bike or automobile. E-Bikes are certainly not designed to protect you in a crash. Do not assume the bike or its drive capability will protect you or keep you from being involved in a serious accident.

NIGHT RIDING- Riding at night on an E-Bike or on a pedal-only bike is very hazardous.

Read the topic “Riding at Night” in your **Cannondale Bicycle Owner’s Manual** for more information on the many hazards of riding at night.

You must operate with a very high degree of awareness and precaution to only reduce the risk of death or serious injury.

KEY



Please Note:

After multiple rides and bike-washes, the battery lock can become dry and difficult to use. To maintain, whenever you lubricate your bike chain, place a few drops of chain oil on the key, insert the key and operate the lock, then remove and wipe the key clean.

Record YOUR Key Serial Number here:

Using the Key

This illustration shows a key (1) inserted in the battery lock mechanism located on the left side of the bike near the headtube.

To access the key hole, use your finger to lift the tethered key cap out of the frame hole.

Remove battery cover before turning the key. Cover is independent from battery

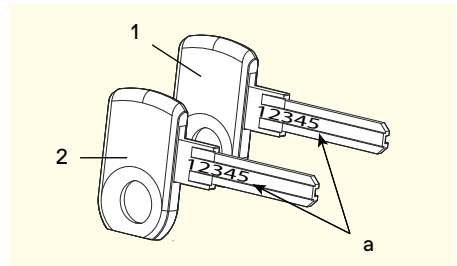
A key is used to secure the battery lock mechanism.

The drive system may be activated by this same key. Please consult the drive system owner/operator manuals to determine.

Please record the key serial number for future use and key replacement.

If your keys are ever lost or stolen, or if you would like additional spares, please contact the key manufacturer indicated in the "Specifications" in this manual.

You can take the drive system display with you for more theft protection.



- 1. Main Key
- 2. Spare Key
- a. Serial Number

NOTICE

Don't ride with the key in the battery lock.

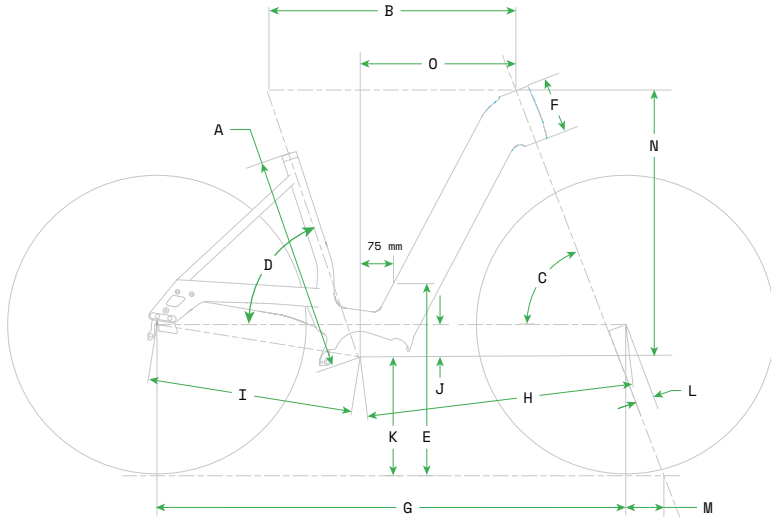
Always remove the key from the lock after using it. Keys may be stolen or break off accidentally in the lock. Keep your spare key in a safe place.

TECHNICAL INFORMATION

Specifications

Item	Specification
Drive System	Bosch Performance Line CX Bosch Performance Line Bosch Active Line Plus
Battery	Bosch Powertube 625Wh Bosch Powertube 500Wh
Drive-Assist Owner's Manual	https://www.bosch-ebike.com/
Head Tube	Cannondale Si
Headset	Integrated, Cannondale HeadShok 1.56"
Bottom Bracket: Type/Width	Bosch Drive Unit
Front Derailleur	N/A
Seat Post: Dia./Binder	31.6mm/36.4mm
Min. Seat Post Insert	65mm
Max. Seat Post Insert	SM: 190mm MD: 270mm LG:330mm
Tire Size x Max. Tire Width	700c x 48mm
Brakes: Mount Type / Min./Max. Rotor Dia.	RR: Post Mount / 160mm/180mm
Axles: Type/Length	RR: QR/135x9mm or Internal Gear Hub
Intended Use	ASTM CONDITION 2: General Purpose Riding
Max. Weight Limit: Total (Rider+All Equipment)	330 lbs/150kg
Technical Features:	<ul style="list-style-type: none"> • Interchangeable Rear Sliding Dropouts • Headtube Water Bottle Mounts • Daytime Light (Headtube integrated)

Geometry

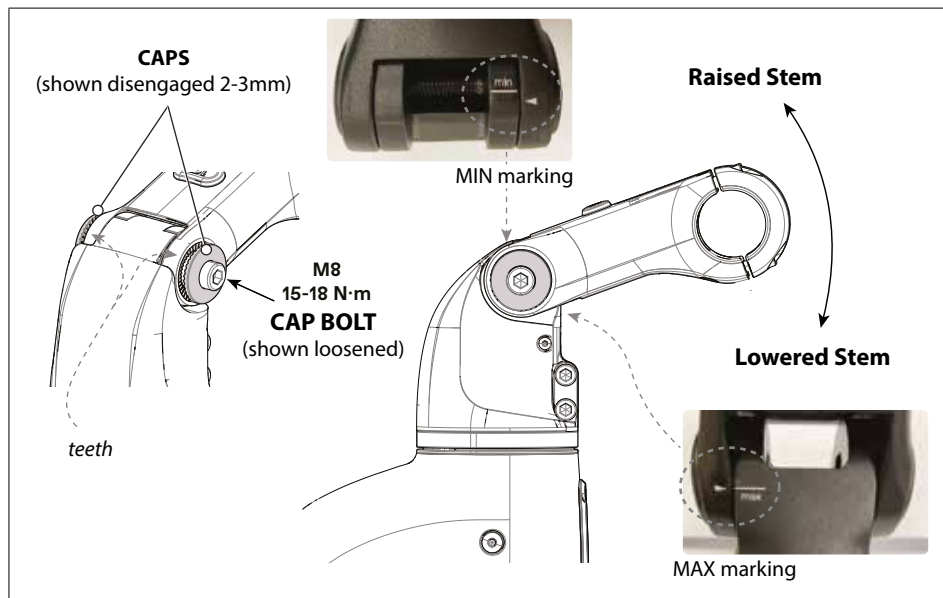


Dimensions = centimeter

Item	Size	SM	MD	LG
A	Seat Tube Length	44	52	58
B	Top Tube Horizontal	58	60.5	63.8
C	Head Tube Angle	69°	69°	69°
D	Seat Tube Angle Effective	72°	72°	72°
E	Standover	40	40	40
F	Head Tube Length	13.4	13.4	16
G	Wheelbase	111.8	114.3	117.7
H	Front Center	64.1	66.6	70
I	Chain Stay Length	48.8	48.8	48.8
J	Bottom Bracket Drop	7.9	7.9	7.9
K	Bottom Bracket Height	28.4	28.4	28.4
L	Fork Rake	4.5	4.5	4.5
M	Trail	9.1	9.1	9.1
N	Stack	64.7	64.7	67.2
O	Reach	37	39.5	42

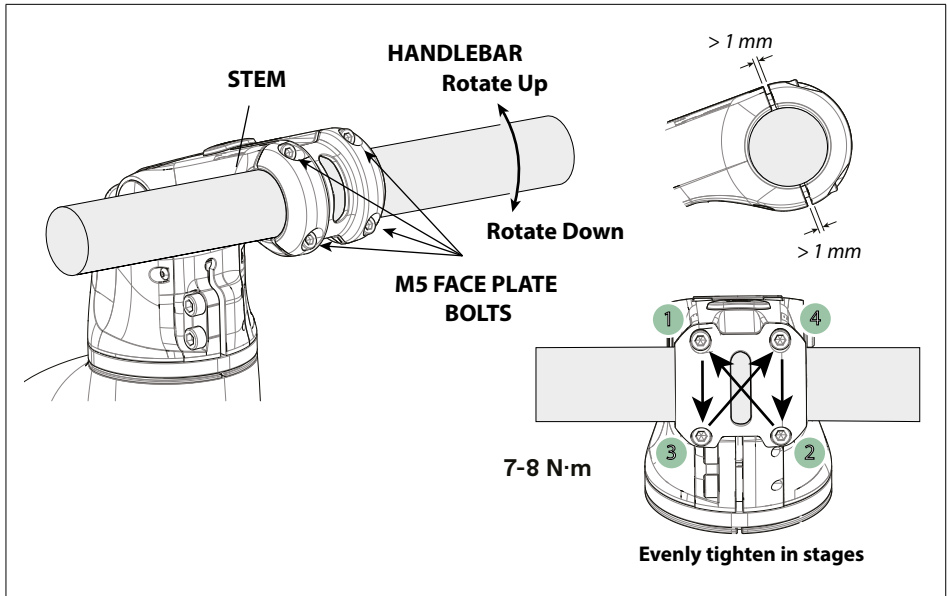
Adjustable Stem

Stem Angle Adjustment



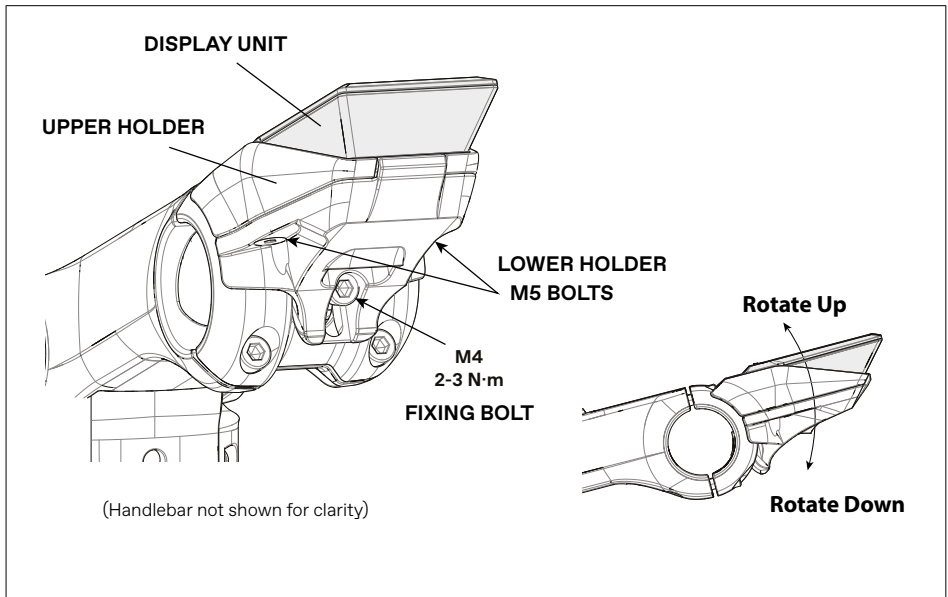
1. Using a 6mm Allen wrench, turn the M8 cap bolt counter-clockwise. Carefully check if both side caps are released, leaving a 2-3mm gap to the stem body.
2. Adjust the stem angle by rotating the stem body up or down. Ensure the stem angle adjustment DOES NOT cover the position marked MAX or MIN or affect the function of the internal cable routing.
3. When re-tightening the M8 cap bolt after the stem angle has been adjusted, ensure the teeth on both side caps fully engage the teeth on the stem body. If they don't, stop tightening the cap bolt, slightly rotate the stem body until the teeth are fully engaged, and re-tighten the cap bolt.
4. Tighten the M8 cap bolt to 15-18Nm using a torque wrench to eliminate any stem play.

Handlebar Adjustment



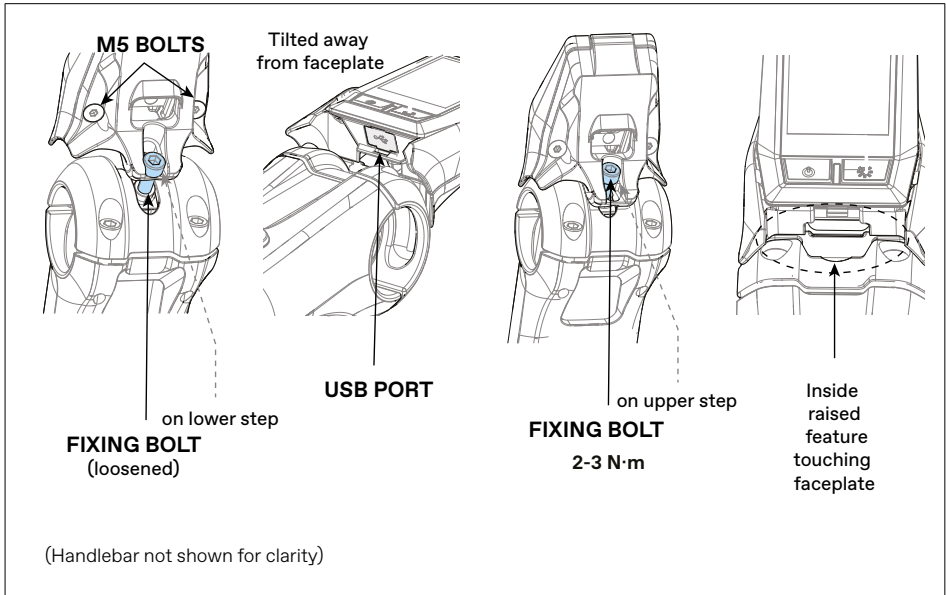
1. Using a 4mm Allen wrench, turn the M5 face plate bolts counter-clockwise, releasing the bolts until the bar is adjustable.
2. Adjust/rotate the handlebar to meet the required position and angle.
3. Once the handlebar is adjusted, use a torque wrench with a 4mm Allen driver to tighten the M5 bolts clockwise according to the sequence specified above. Following this sequence applies force evenly across the stem face plate and handlebar.
4. Repeat Step 3 until 7-8Nm of torque has been evenly applied to each faceplate bolt.
5. Ensure the handlebar doesn't move and that even gaps of approx. 1mm exist between the face plate and stem body per the above diagram.

Kiox Display Holder Adjustment



1. Using a 4mm Allen wrench, turn the M4 bolts on the bottom of the lower holder counter-clockwise until the KIOX display holder can be adjusted.
2. Adjust the holder by rotating up or down to meet preferred display unit viewing angle.
3. Use a torque wrench to tighten the M4 fixing bolt to 2-3Nm. Ensure the holder is secure to prevent slippage while riding.

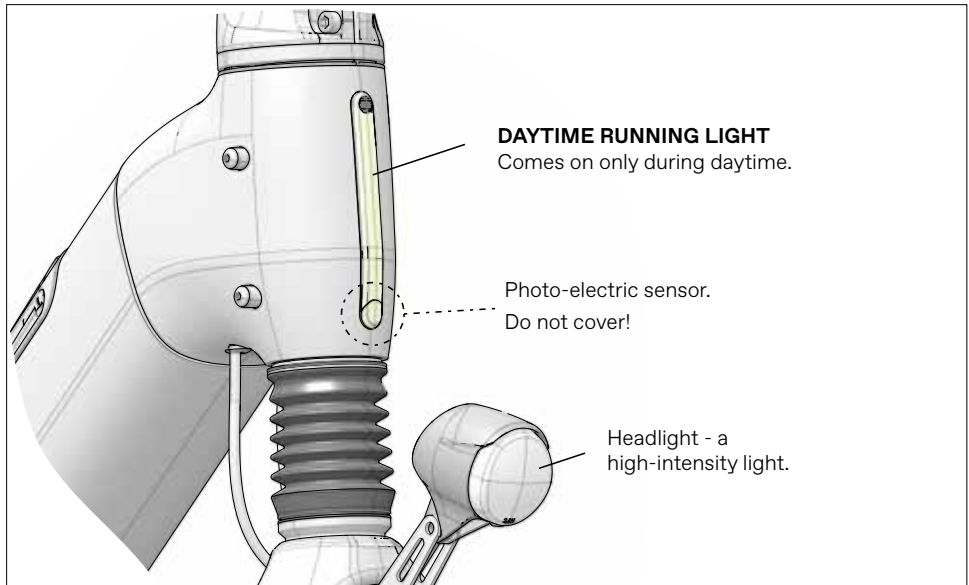
Cable Connect To Kiox Display (Service Centers Only)



Interface with the KIOX display is limited to authorized drive system service professionals. The software communications tools are not available to consumers.

1. Using a 4mm Allen wrench, turn the M4 bolts on the bottom of the lower holder counter-clockwise until the KIOX display holder can be adjusted.
2. Loosen the fixing bolt so the holder can be lifted away from the face plate, then raise the holder so the fixing bolt seat is on the lower step of lower holder (reference above-left illustration).
3. When you can see the USB port on the rear of the holder, open the gate and connect the USB cable to upgrade software or to download records.
4. When you've finished updating the unit, carefully disconnect the USB cable, place the M5 bolt back to upper step of lower holder, also make sure the inside raised feature of holder is touch the face plate, see above-right illustration.
5. Use a 4mm allen wrench or torque-wrench to tighten the M4 bolt, to 2-3Nm. Double check that the holder is securely located and well fixed, to prevent it from coming loose when riding.

Daytime Running Light



How it works:

- It turns ON automatically in daylight conditions when the drive system is turned on. It is supplied power via the drive system.
- It turns OFF automatically at low-lighting, dusk, and at night conditions or when the drive system is powered off.
- It is independent of the ON/OFF state of any other lights on the bicycle.

WARNING

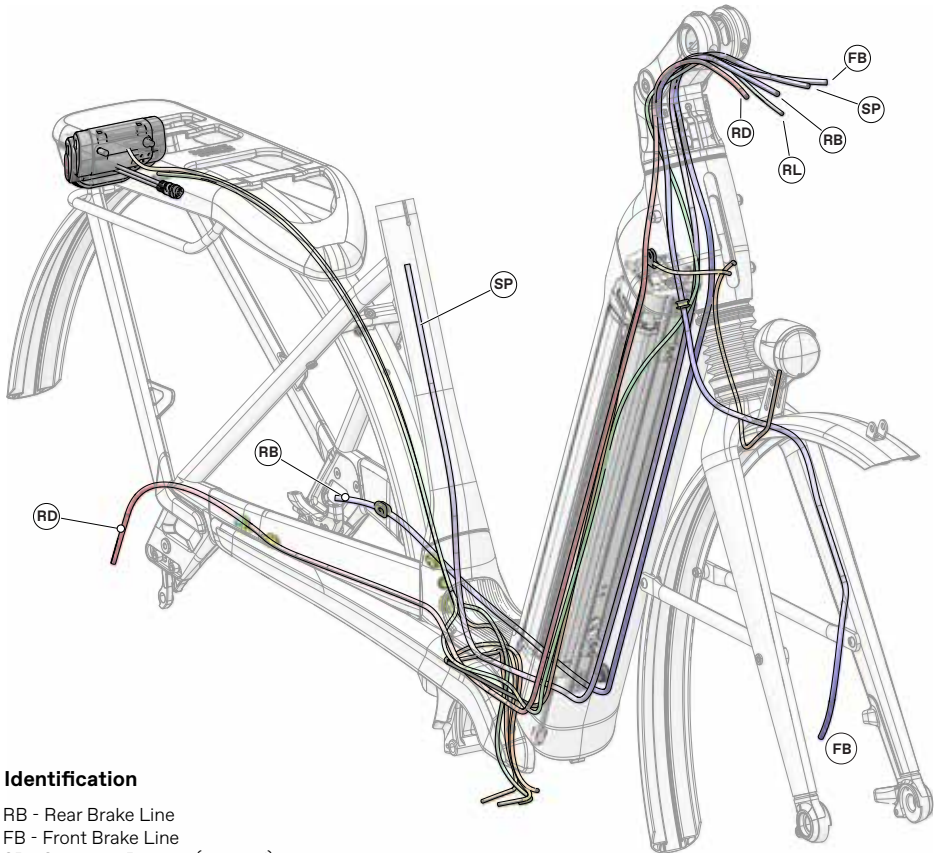
Intended - to be used at daytime to increase rider visibility to other cyclists, to pedestrians, and to motorists.

Not intended - to illuminate the road, road hazards, or use at night. It is not a bright/high-intensity cycling light intended to illuminate the road or hazards in the road.

Please read your Cannondale Bicycle Owner's Manual for information about different types of bicycle lighting.

You can be severely injured, paralyzed or killed in an accident if you ignore these warnings.

Cable Routing Overview

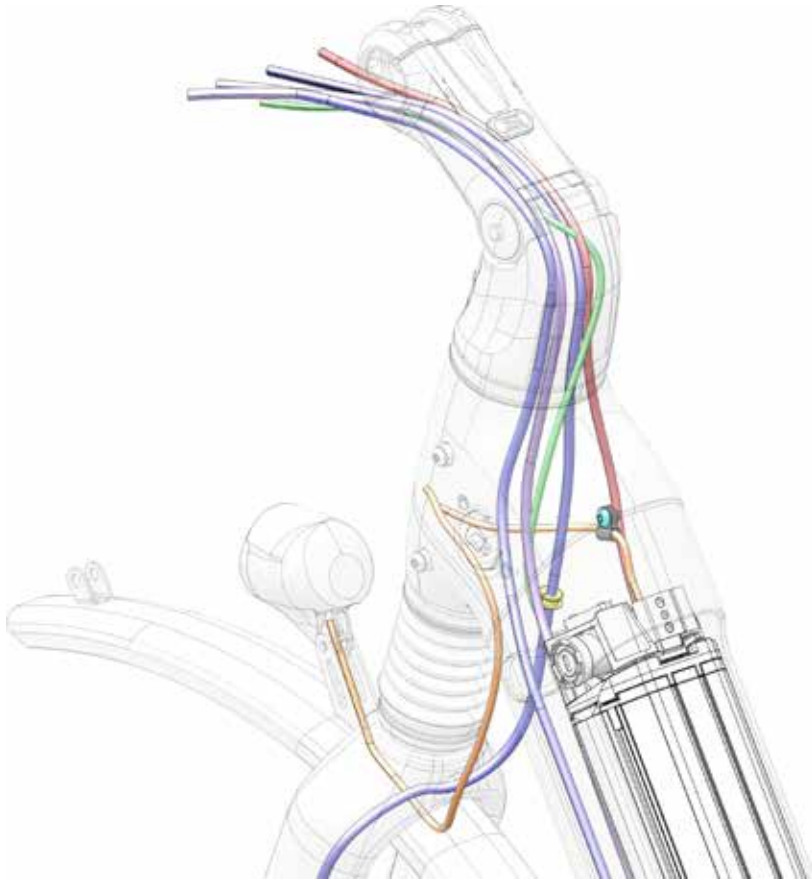


Identification

- RB - Rear Brake Line
- FB - Front Brake Line
- SP - Seat post Remote (optional)
- RD - Rear Derailleur Housing
- CP Charge Port

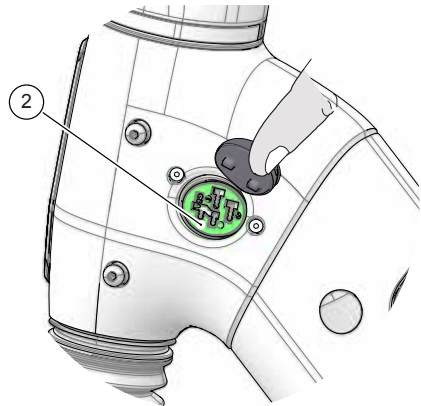
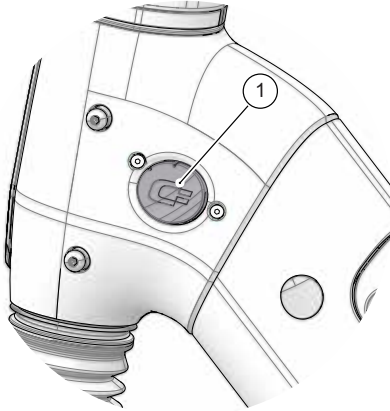
Please Note:

Do not attempt to work on the cable routing yourself. Due to the complex nature of the parts and the level of disassembly required to gain access, have any repairs or replacements of the battery, cables or hose parts identified performed by an authorized Cannondale e-bike service center.



Battery Charging Port

The battery charging port is located on the left side of the bicycle at the headtube. The charging port enables the battery to be charged while installed in the bicycle.



To connect the charger cable to the port connector:

1. Place the bike and charger in a secure area where both will remain undisturbed while the battery is charging.
2. Lift up the battery port cover (1).
3. Attach the specified charging cable to the charge socket (2).
4. When charged, disconnect charger cable from the charge socket and replace cover. Make sure cover is seated fully into the frame opening.
5. Disconnect the charger from its source of power.

WARNING

Follow the drive system manufacturer's instructions for charging and handling of the battery.

Incorrect charging or handling can result in a fire or in an explosion, resulting in serious injury or death.

Do not insert anything other than the specified charging connector into the charging socket.

Powertube Battery

The drive system battery (2) is housed within the bicycle downtube.

The battery can be charged via the charge port (8) or removed for charging.

To remove the battery:

1. Secure the bike upright to prevent it from falling over.
2. Make sure the bike drive system is OFF.
3. Slide the cover latch (10) down with your finger to release and lift off the battery cover from the frame.
4. Lift out the key cover from the frame and insert the key (5) into the key slot.
5. Turn and hold the key counter-clockwise to permit the release of the battery.
6. Press in on the battery release tab (7) located on the upper part of the battery.
7. Once pressed, the battery will be allowed to tilt out from the upper battery connector mount.

To install the battery:

1. Secure the bike upright to prevent it from falling over.
2. Insert the lower portion to the battery so that the battery socket engages with the lower frame connector (4).
3. Turn the clockwise to re-engage the upper locking mechanism (6).

4. Remove the key.
5. Insert the battery cover tabs into the slot, lower the cover over the frame opening, while holding the latch.
6. Release the latch to secure the cover.

NOTICE

Do not ride the bike without the battery cover installed. Dirt, water and other contaminants can enter frame and/or damage the battery.

WARNING

Periodically check to make sure the battery is securely mounted inside the frame.

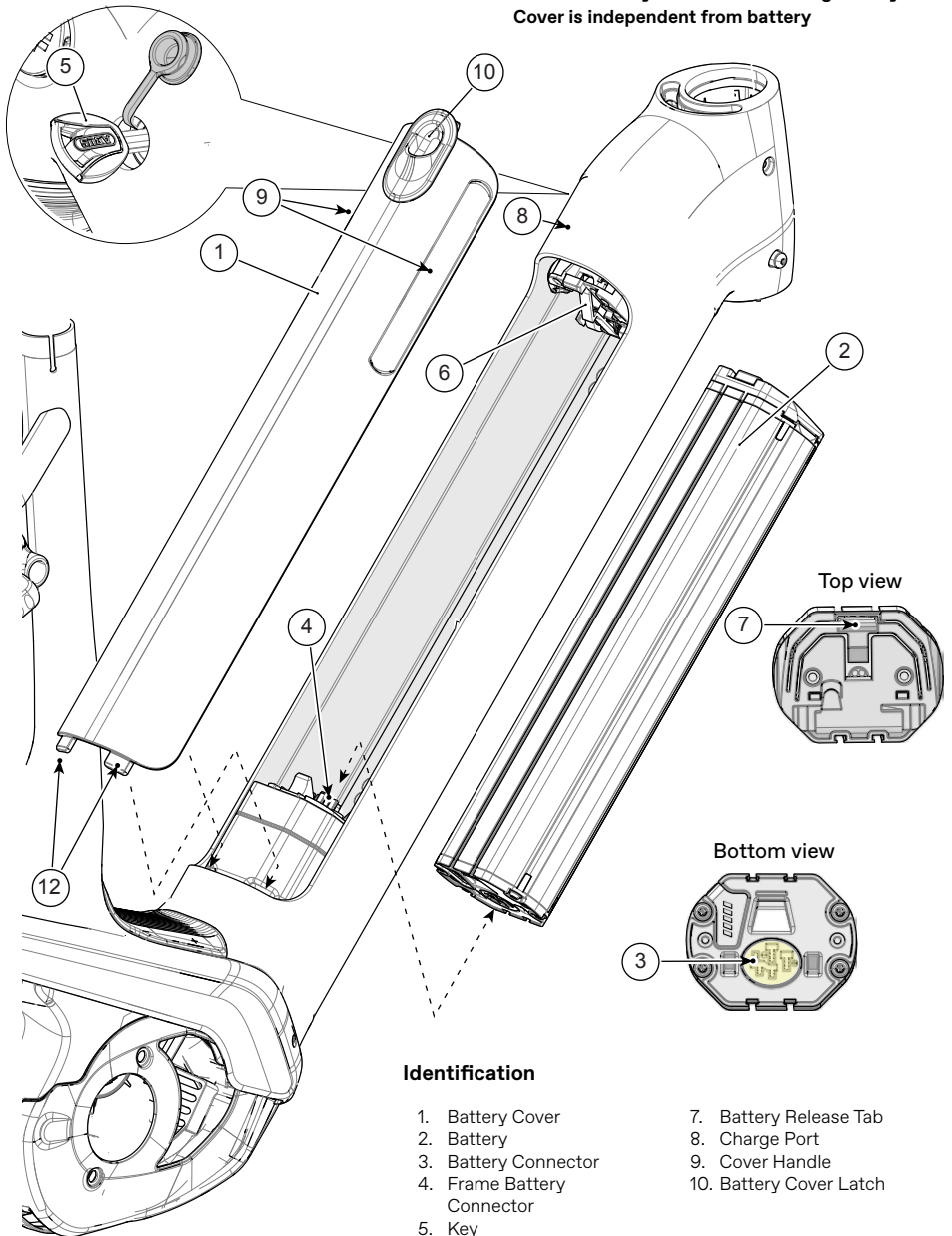
Check the battery after any fall or impact. Check for loose or damaged parts.

Use only the specified battery. Do not modify the battery or other parts.

If you take the battery out, replace and secure the battery cover on the frame.

If damage is found, do not ride the bike. Have any damaged part replaced with a new one. Contact your Cannondale Dealer.

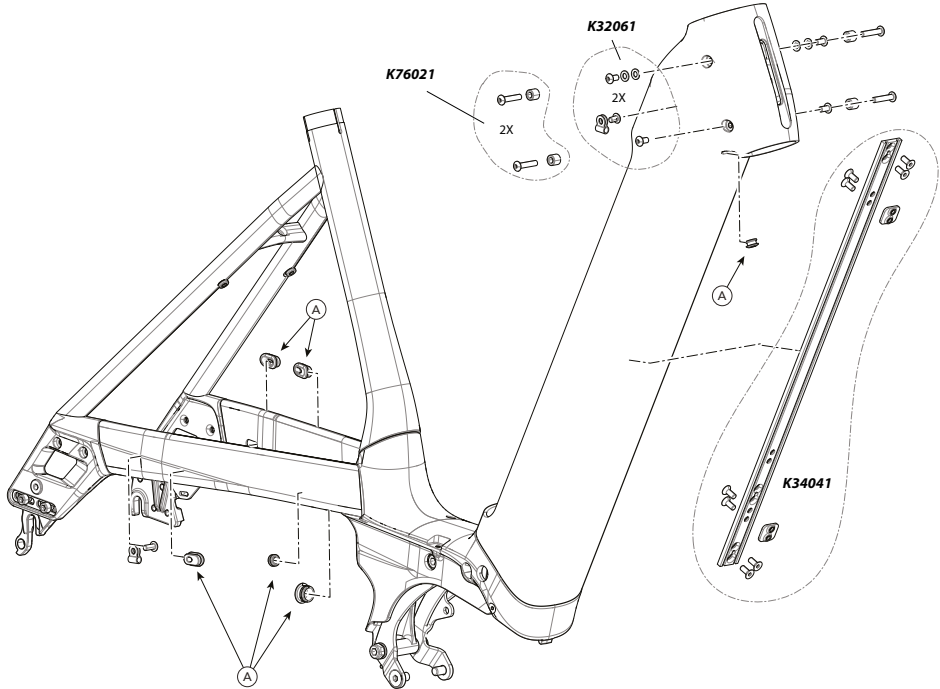
Remove battery cover before turning the key.
Cover is independent from battery



Identification

- 1. Battery Cover
- 2. Battery
- 3. Battery Connector
- 4. Frame Battery Connector
- 5. Key
- 6. Battery Latch
- 7. Battery Release Tab
- 8. Charge Port
- 9. Cover Handle
- 10. Battery Cover Latch

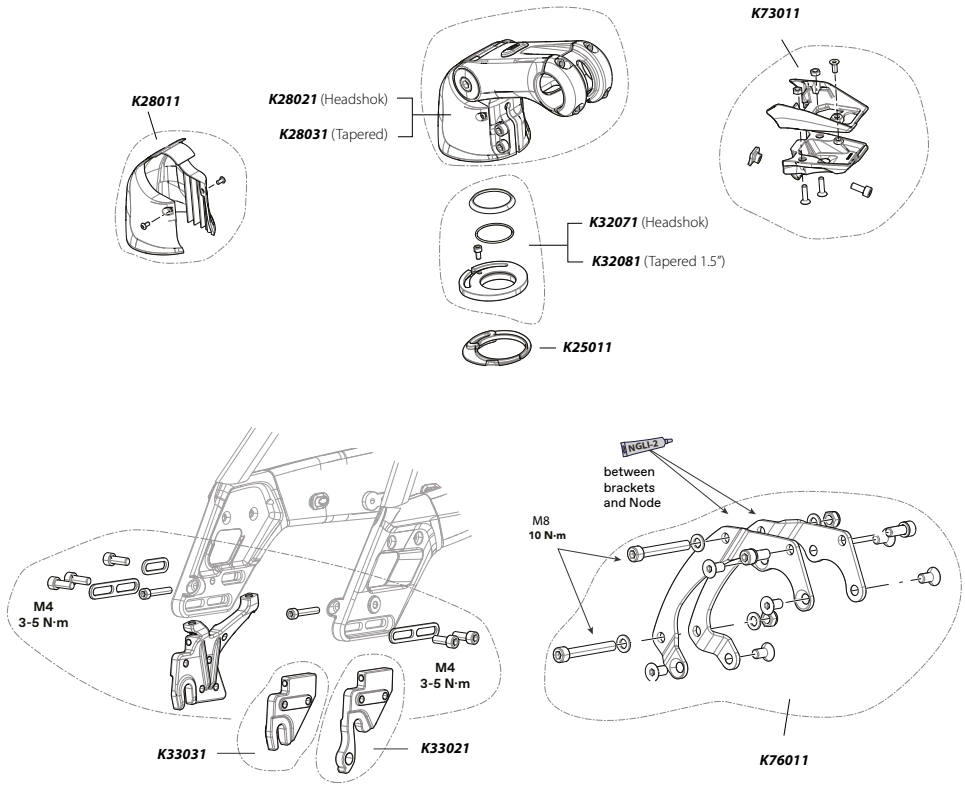
REPLACEMENT PARTS



Frame

ID	Part Number	Description
A	K32048	Shift And Brake Grommets
	K34041	Mavaro Neo Battery Rail Mounting Kit
	K76021	Mavaro Neo HT Bottle Cage Spacer Kit
	K32061	Mavaro Neo Frame Cable Guides

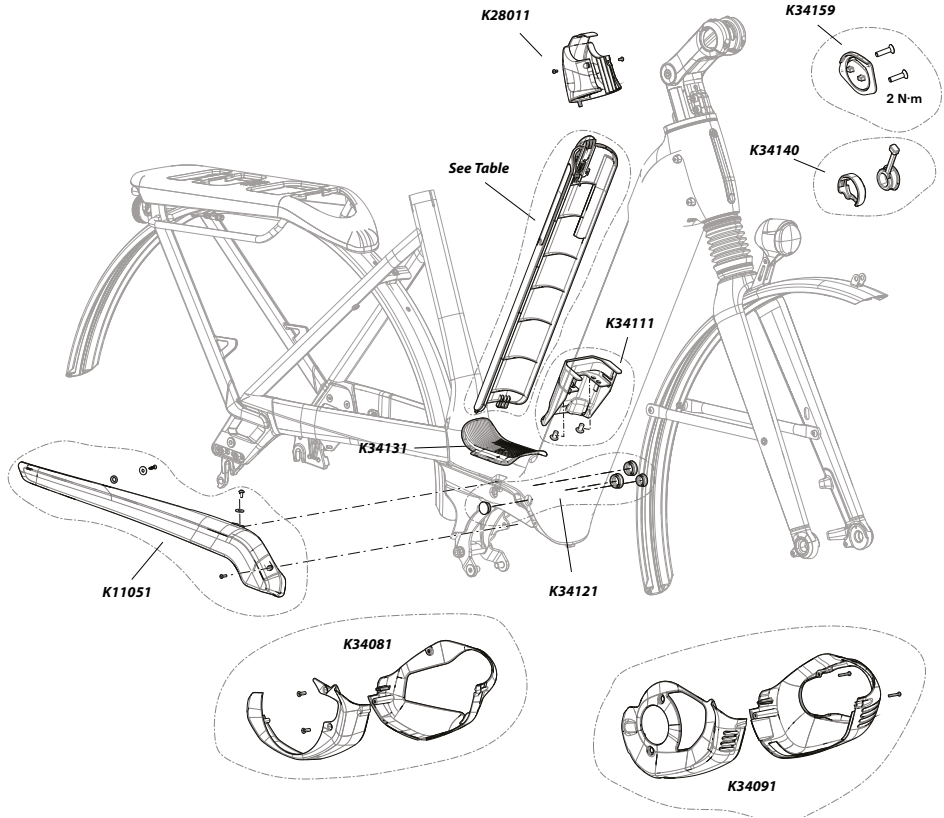
ID	Part Number	Description
	K34041	Mavaro Neo Battery Rail Mounting Kit
	K76011	Mavaro Neo Gen 4 DU Mounting Hardware



Frame/Stem/Dropouts

ID	Part Number	Description
	K32071	Mavaro Neo Headshok Steerer Cable Guide
	K32081	Mavaro Neo 1.5" Steerer Cable Guide
	K25011	Mavaro Neo Steerer Stop
	K28021	Mavaro Neo Headshok Stem
	K28031	Mavaro Neo 1.5" Stem
	K28011	Mavaro Neo Stem Cover
	K73011	Mavaro Neo Kiox Display mount

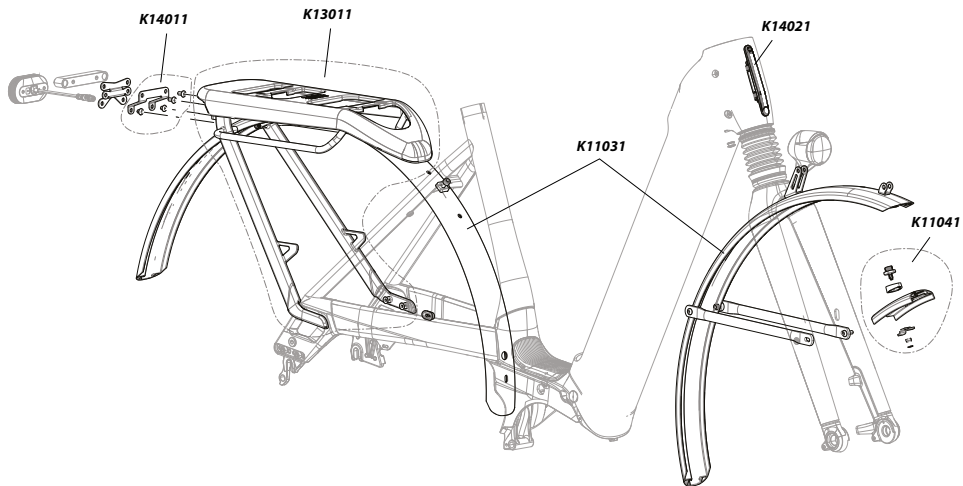
ID	Part Number	Description
	K33021	Derailleur Hanger QR ST DS 079
	K33031	Derailleur Hanger QR SS DS 080
	K76011	Mavaro Neo Gen 4 DU Mounting Hardware



Guards/Covers

ID	Part Number	Description
	K34121	Node Plugs
	K11051	Mavaro Neo Chainguard
	K34131	Remixte DT Guard
	K28011	Mavaro Neo Stem Cover
	K34159	Charge Port Cover V2
	K34140	Key Hole Cover w/ Leash
	K34111	Gen 3 Battery Gap Cover

ID	Part Number	Description
	K3410110	Battery Cover Top Exit GRY
	K3410120	Battery Cover Top Exit GRA
	K3410130	Battery Cover Top Exit CHP
	K3410140	Battery Cover Top Exit MDN
	K3410150	Battery Cover Top Exit CRD
	K3410160	Battery Cover Top Exit BPL
	K34081	Mavaro Neo Gen 3 Motor Cover
	K34091	Mavaro Neo Gen 4 Motor Cover



Rear Rack/ Lighting/Fenders (Mud Guards)

ID	Part Number	Description
	K13011	Mavaro Neo Rear Rack
	K14011	Mavaro Neo Light and Radar Mount
	K11031	Mavaro Neo Fender Set
	K11041	Mavaro Neo Front Fender Mount Hardware
	K14021	Mavaro Neo Headtube Light

E-BIKE MAINTENANCE

Before and After Each Ride:

- Clean and visually inspect the entire bike for cracks or damage. See “Inspect for Safety” in your Cannondale Bicycle Owner’s Manual.
- Make sure the battery is fully charged and mounted securely. Follow the drive system charging instructions. Battery charge discharge capacity will decline with usage. Have the older battery replaced when it fails to charge within the time indicated and/or to provide power reliably.
- Test the drive-assist system, make sure the drive system functions normally.
- If your e-bike model was equipped with a lighting system (e.g., brake lights, headlights, taillights, and/or number plate illumination), ensure each light functions properly.
- Check for proper function of the front and rear brakes. Brake pad and rotor wear is typically greater on e-bikes than on pedal-only bikes, requiring more-frequent inspection and replacement.
- Check tire pressures and the condition of the wheels. Ensure the tires are not damaged and do not have excessive wear. Ensure no wheel parts are broken or missing and that the wheels are firmly attached to the bike via secured skewers/axles.
- Confirm the drive chain is in good condition, is clean, and is well lubricated. Chain wear is typically greater on e-bikes than on pedal-only bikes, requiring more-frequent inspection and replacement. Ensure the gears operate normally throughout the entire range.
- Inspect the condition of the electrical cables, ensuring no kinks or abrasive wear. Check that cables near the dropouts are assembled properly to avoid contact with the brake rotors.

WARNING

Perform a pre-ride-check before and after each ride. Frequent checks are necessary to identify and correct problems that can lead to an accident. Do not ride your bike if it does not operate normally or has broken, damaged, or missing parts. Have any damage inspected and repaired by your Cannondale Dealer before riding again.

You can be severely injured, paralyzed or killed in an accident if you ignore this warning.

Maintaining Your Bike

1. Read your **Cannondale Bicycle Owner's Manual** for information on the owner's responsibility for routine inspection and maintenance of your bike.

Consult with your Authorized Cannondale Dealer to create a complete maintenance program for your riding style, components, and conditions of use.

Follow the maintenance recommendations given by the component manufacturers for the various parts of your bike.

2. Recommended after the first 150 km, bring your bike to your Authorized Cannondale Dealer for an initial check-up. It should include checks of the drive-assist system, drive chain condition, proper shifting, accessories, wheels and tire condition, brakes, etc. This visit will help you establish a schedule for repeated visits appropriate for how and where you ride.
3. Every 1000 km, bring your bike in to your Authorized Cannondale Dealer for a regular detailed inspection, adjustment, and replacement of wear items across the entire bike. E-bikes can wear out wheels, tires, drive chains, and brakes faster.

Maintaining Your Bike's Drive System

NOTICE

Drive-assist system components must only be serviced at an authorized service center. This will ensure the quality and safety of the drive-assist system.

Never attempt to open or remove drive system parts from the frame, or to work on them yourself. Other components of the drive system (e.g. drive chain, front chain ring, rear cassette, rear derailleur, crank arm) must be serviced by an Authorized Cannondale Dealer.

Replacement parts must be identical to the original Cannondale specification for the bike. Failure to replace components with original specification can result in serious overload or in other damage to the drive unit.

Unauthorized opening or servicing of the drive unit will void the warranty.

Cleaning

When cleaning your bike, use a damp sponge or a soft brush with only a mild soap and water solution. Rinse the sponge often. Do not spray water directly on controls or on drive system components.

NOTICE

Do not use a pressure washer or dry with compressed air. This will force contaminants into sealed areas or into electrical connections/components, promoting corrosion and resulting in immediate damage or in accelerated wear.



WARNING

Keep water away from the electrical components.

Make sure the bike is secured upright and cannot fall over accidentally while you are cleaning it.

Don't rely on the kickstand. Use a bicycle wheel-stand or work-stand to hold the bike upright while you are cleaning it.

NOTES

Use NOTES pages to write /record important information about your bike : (e.g. maintenance history, dealer contact information, settings, etc.)

www.cannondale.com

© 2020 Cycling Sports Group

Mavaro Neo Owner's Manual Supplement

138225

CANNONDALE USA

Cycling Sports Group, Inc.
1 Cannondale Way,
Wilton CT, 06897, USA
1-800-726-BIKE (2453)
www.cannondale.com

Cannondale Europe

Mail: Postbus 5100
Visits: Hanzepoort 27
7570 GC, OLDENZAAL,
Netherlands
service@cyclingsportsgroup.com

Cannondale UK

Cycling Sports Group
Vantage Way, The Fulcrum,
Poole, Dorset, BH12 4NU
+44 (0)1202732288
sales@cyclingsportsgroup.co.uk